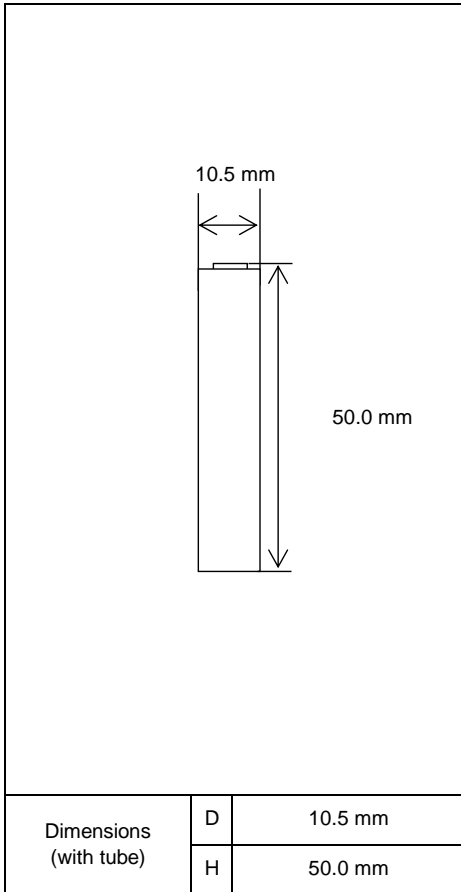


### Specifications

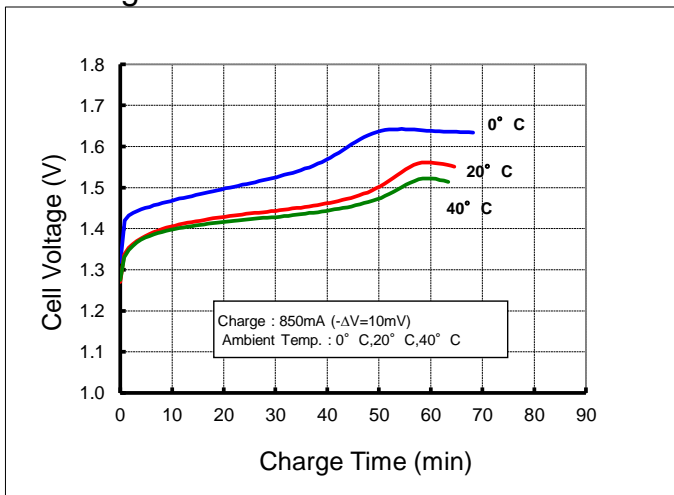


Type : Nickel-Metal Hydride Battery		Size : 5/4AAA	
Capacity <sup>1)</sup>	Typical	850mAh	
	Minimum	760mAh	
Nominal Voltage		1.2V	
Charging Current x Time	Fast Charge <sup>2)</sup>	850 mA x about 1.1h	
Ambient Temp.	Charge Condition	Fast Charge <sup>2)</sup>	
	Discharge Condition	0°C ~ +50°C	
	Storage Condition	Less than 30days	-20°C ~ +50°C
		Less than 90days	-20°C ~ +40°C
Less than 1year		-20°C ~ +30°C	
Internal Impedance <sup>3)</sup> (after discharge to E.V.=1.0V)		Approx. 30mΩ(at 1000Hz)	
Weight <sup>4)</sup>		Approx. 14 g	
Size <sup>4)</sup> : (Diameter) x (Height)		10.5(D) x 50.0(H) mm	

- 1) Single cell capacity under the following condition.  
Charge : 85mA x 16h, Discharge : 170mA (E.V.=1.0V) at 20°C
- 2) Use recommended charging system.
- 3) After a few charge and discharge cycles under the above 1) condition.
- 4) With tube.

### Typical Characteristics

#### Charge



#### Discharge

